

Thickness To Prevent Condensation		
Pipe Temperature	Relative Humidity	Ambient Temperature and
32°F (0°C)	50% (10°C)	77°F (25°C) and 50% RH
		85°F (29°C) and 70% RH
		Double Layer Plus Triple Layer
		Double Layer
		Triple Layer Plus Triple Layer

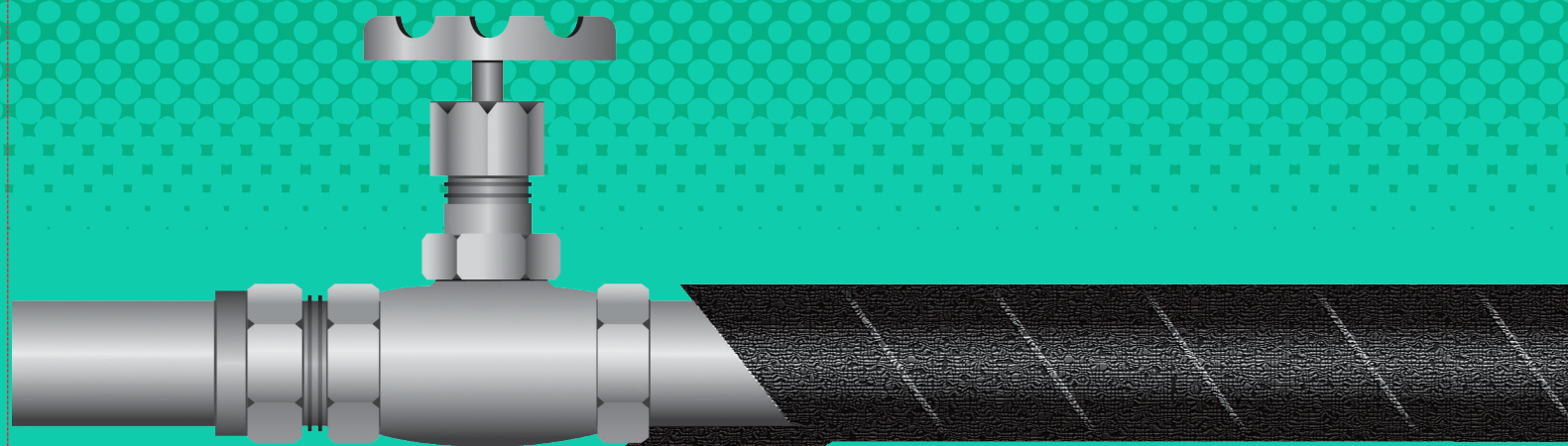
4217-12
(42177)



4217-12
(42177)

Cork-Tite™

CORK INSULATION TAPE



**Stops Sweating & Condensation
For Hot or Cold Applications
Self Adhesive - Easy to Apply
Use on Iron Pipe, Copper Tubing,
Tees, Valves & Fittings**

30 foot roll: 1/8" x 2" (3mmx50mmx9.1m)

4217-12
(42177)

Cork-Tite™

CONTENTS: 30 foot roll: 1/8" x 2" (3mmx50mmx9.1m)

CONTENTS: 30 foot roll: 1/8" x 2" (3mmx50mmx9.1m)

Cork-Tite™

4217-12
(42177)

Cork-Tite™

CONTENTS: 30 foot roll: 1/8" x 2" (3mmx50mmx9.1m)

4217-12
(42177)

DIRECTIONS FOR USE:

First, remove moisture and excess dirt from pipe. Then, follow the directions below to apply Cork-Tite Insulation Tape.

- 1 Cut end at an angle and remove backing.
- 2 Start end and coil loosely around pipe.
- 3 Tighten coil.



- 4 Cut patches for valves, joints, etc.
- 5 Press tightly and cover exposed pipe.



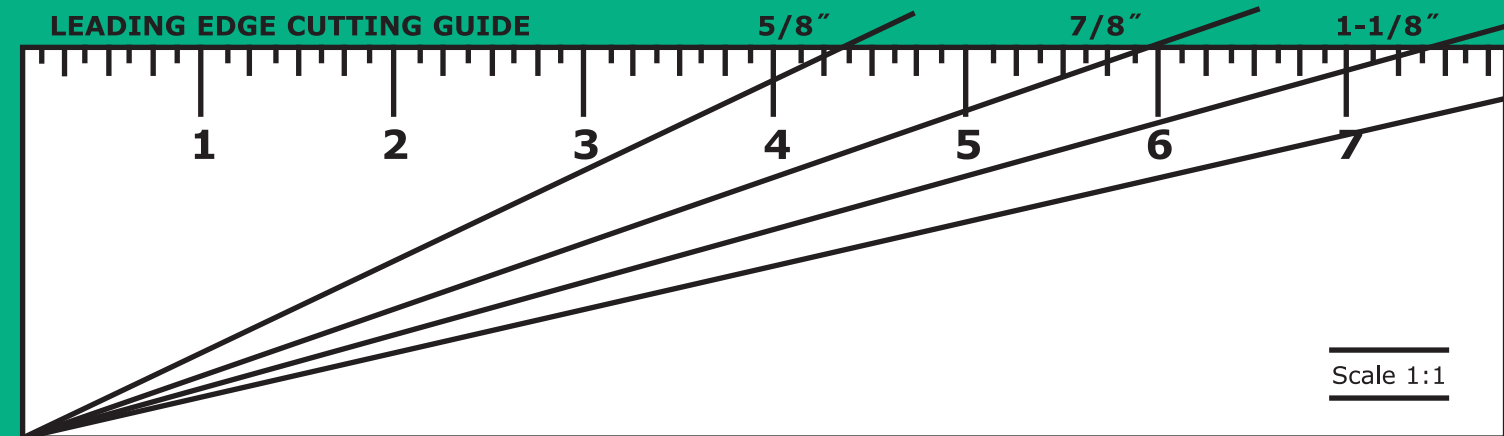
One layer of tape will protect under most conditions. If pipe or outside temperatures are very low, or if humidities are very high, additional layers may be required. Contact manufacturer for additional engineering data.

Recommended Service Temperature: -20°F to 200°F

One Roll Spirally Wound Making Butt Joints Will Cover:

30 ft. of 1/2" O.D. Pipe	16.5 ft. of 1" O.D. Pipe	11.5 ft. of 1 1/2" O.D. Pipe
21.5 ft. of 3/4" O.D. Pipe	13.5 ft. of 1/4" O.D. Pipe	8.75 ft. of 2" O.D. Pipe

Cut tape with scissors along the proper line to obtain the proper starting angle for 50% overlap spiral wrapping. Start wrapping by placing cut tape edge against fittings. Save scraps for use around fittings.



WARNING: This product can expose you to chemicals including bitumen, which is known to the state of California to cause cancer. For more information go to www.P65Warnings.ca.gov.

Nu-Calgon • 2611 Schuetz Road
St. Louis, MO 63043
Customer Service: 800-554-5499
Chemical Emergency: 800-424-9300
www.nucalgon.com
(219) Calgon is a licensed trade name.

Made in Malaysia.